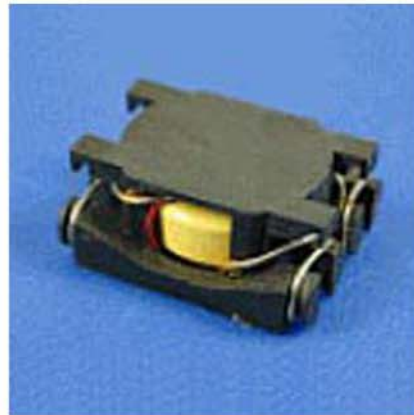


**FEATURES**

- Solutions Based On Impedance, Size And Current.
- Designed For Dc/Dc Converters.
- Wide Variety Of Inductor Sizes And Current Ratings Available.
- Dielectric Strength : 500vrms

**TEST CONDITIONS**

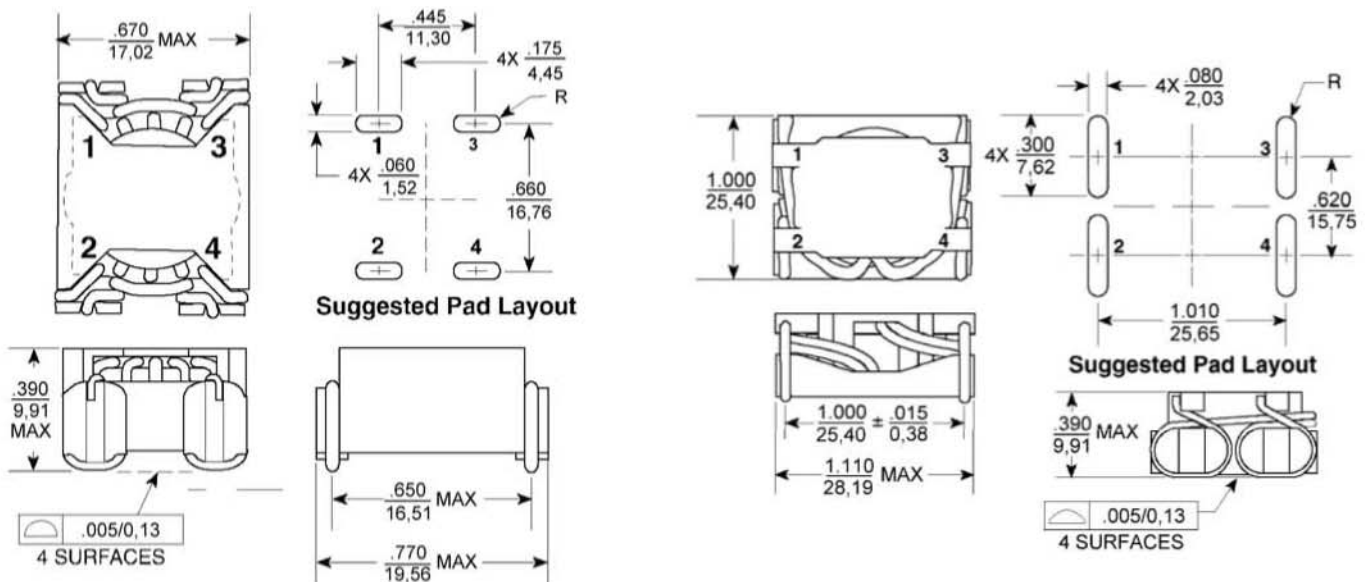
- Inductance -----10KHZ/200mV
- **Leakage Inductance** -----100KHZ/1V
- Interwinding Capacitance --100KHZ/1V



**ELECTRICAL SPECIFICATIONS @25°C**

PART NUMBER	Rated Current For 55°C Rise (Amps)	Inductance (mHy±25%.)	DCR(max) (mΩ)	Impedance Curve (sss # below)	Package
ST-76T159S3	2.80	1.590	80	3	C5
ST-76T132S3	3.30	1.320	60	4	C5
ST-76T221S3	3.30	0.225	60	5	C5
ST-76T768S3	4.70	0.760	40	6	C5
ST-76T591S3	5.60	0.590	20	7	C5
ST-76T531I6	7.20	0.530	16	8	I6

**MARKINGS AND DIMENSIONS**



Dimensions: inches/mm

Unless otherwise specified, all tolerances are ±.005/±0.13